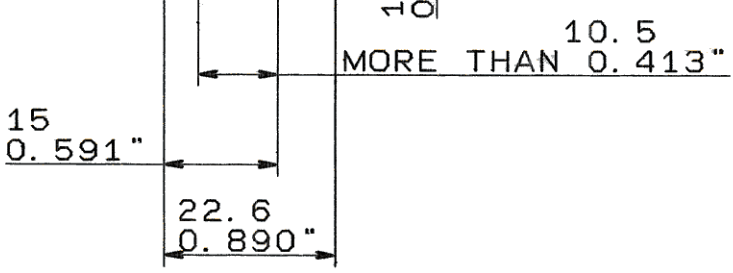
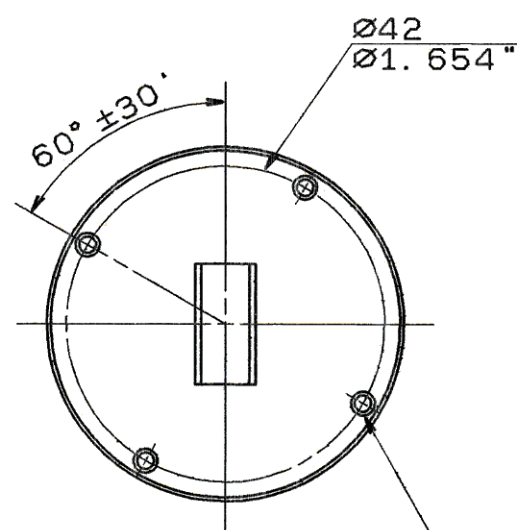
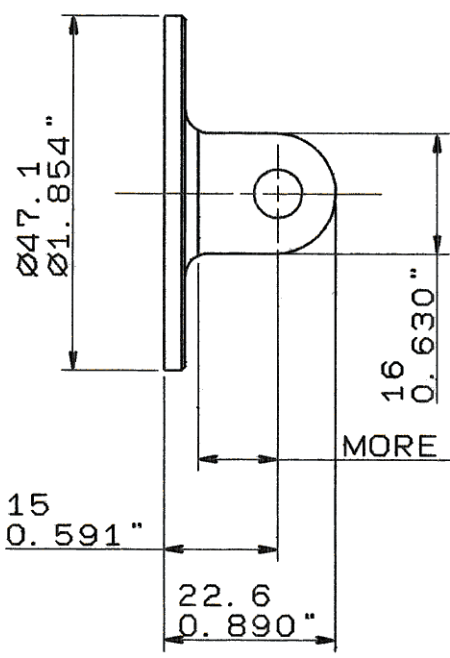
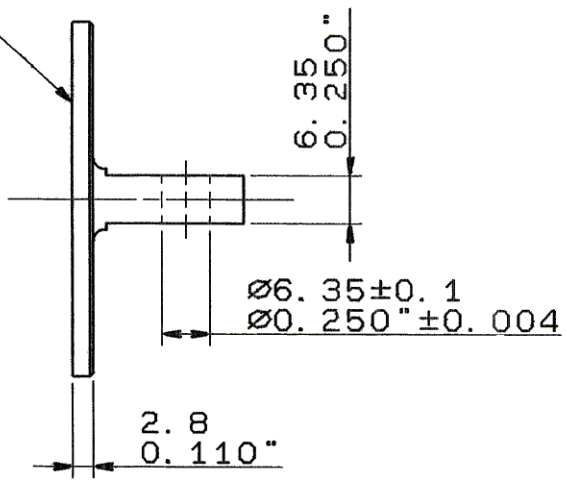


MOUNTING AREA



4-0.087" THRU, $\text{Ø}0.126$ " CBORE 0.055" DEEP
(4 HOLES EQ SP ON CIRCLE)